

## Drag/En-Masse Conveyor General Information (\*Indicates a required field)

<p><b>Name*</b></p> <input type="text"/> <p><b>Street Address*</b></p> <input type="text"/> <p><b>Email*</b></p> <input type="text"/>	<p><b>Company*</b></p> <input type="text"/> <p><b>City*</b>      <b>State*</b>      <b>Zip Code*</b></p> <input type="text"/> <input type="text"/> <input type="text"/> <p><b>Phone*</b></p> <input type="text"/>
---------------------------------------------------------------------------------------------------------------------------------------	-------------------------------------------------------------------------------------------------------------------------------------------------------------------------------------------------------------------

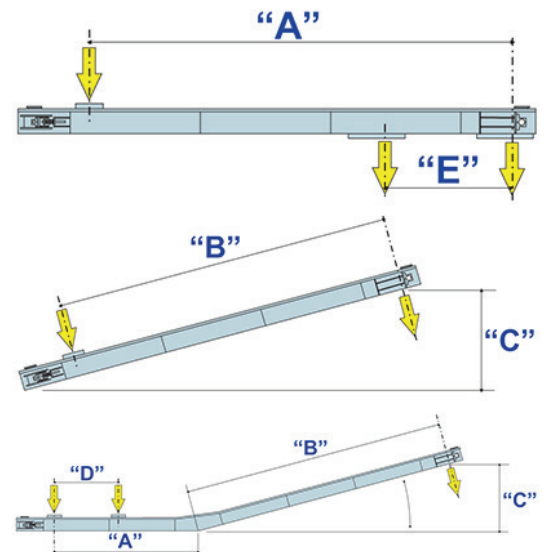
### Product Specifications

<p><b>Products</b></p> <input type="text"/> <p><b>Bulk Density</b>      <b>Particle Size</b></p> <input type="text"/> lbs/cu ft <input type="text"/>	<p><b>Moisture Content</b>      <b>Temperature</b></p> <input type="text"/> % <input type="text"/> F° <p><b>Abrasive:</b>      <input type="radio"/> Non      <input type="radio"/> Moderate      <input type="radio"/> Very</p> <p><b>Corrosive:</b>      <input type="radio"/> Non      <input type="radio"/> Moderate      <input type="radio"/> Very</p> <p><b>Hygroscopic:</b>      <input type="radio"/> Non      <input type="radio"/> Moderate      <input type="radio"/> Very</p>
------------------------------------------------------------------------------------------------------------------------------------------------------	--------------------------------------------------------------------------------------------------------------------------------------------------------------------------------------------------------------------------------------------------------------------------------------------------------------------------------------------------------------------------------------------------------------------------------------------------------------------------------------------

### Conveyor Specifications

Please refer to the diagram to the right when completing this section.

<b>Capacity</b>	<b>Hours of Operation</b>	<b>Overall Conveyor Length</b>
<input type="text"/> tons/hr	<input type="text"/> per 24 hour day	<input type="text"/> m/ft
<b>A:</b> <input type="text"/> m/ft	<b>B:</b> <input type="text"/> m/ft	<b>C:</b> <input type="text"/> m/ft
<b>Conveyor Inlets</b>	<b>Conveyor Discharges</b>	<b>Conveyor Discharge Gates</b>
<input type="text"/>	<input type="text"/>	<input type="radio"/> Manual
<b>D:</b> <input type="text"/> m/ft	<b>E:</b> <input type="text"/> m/ft	<input type="radio"/> Electric
<b>Conveyor Type:</b>		<input type="radio"/> Air/Hydraulic
<input type="radio"/> Flood Feed <input type="text"/>	(silo, hopper or front end loader, etc.)	
<input type="radio"/> Metered Feed <input type="text"/>	(rotary valve, bucket elevator, screen, etc.)	



### Additional Application Details